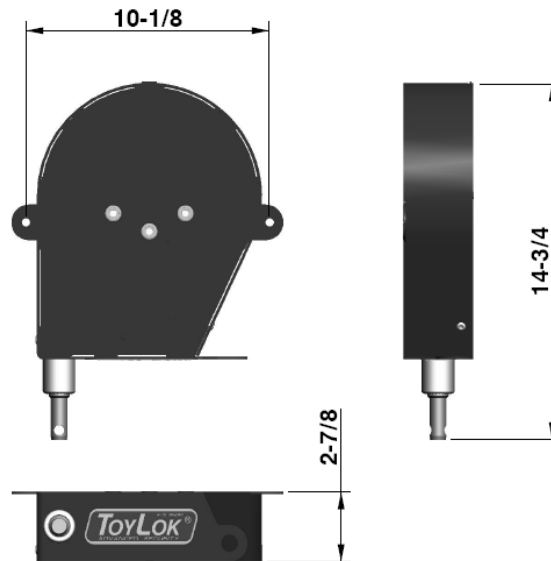




The Toylok retractable cable allows you to secure your valuable personal property wherever you go. Lock up bicycles, motorcycles, portable tools, generators, camping gear and much more! Know that while sleeping, at play or in town, your valuables are protected.

Designed for easy use, the Toylok combines a strong flexible cable steel cable that extends up to 18 feet. Weave the cable through your valuables and secure it using the specially designed end with a padlock. When ready, unlock your items and give the cable a tug, it will automatically retract into the housing.

**Dimensions:**



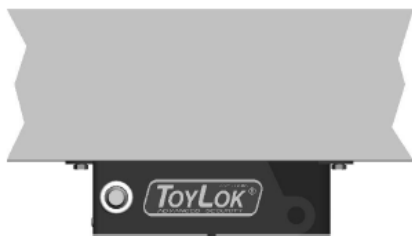
**WARNING**  
**DO NOT USE ToyLok® FOR TOWING.**  
**DO NOT USE CABLE FOR TOW LINE AS SERIOUS INJURY COULD RESULT!**  
**DO NOT DISASSEMBLE – SERIOUS INJURY COULD RESULT!**  
**ToyLok® IS A SECURITY DEVICE ONLY! - NEVER USE IT TO SECURE A LOAD.**



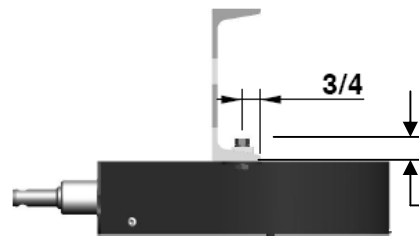
**INCLUDED HARDWARE:**

<u>ITEM</u>	<u>QTY</u>	<u>DESCRIPTION</u>
1	2	5/16-18 HEX NUT
2	2	5/16 SPLIT LOCK WASHER
3*	*	5/16 BEVEL WASHER (NOT INCLUDED, OPTIONAL FOR INSTALL)
4	2	5/16-18 x 1.00 Lg. GR5 HEX BOLT
5	2	5/16-18 BREAKAWAY SECURITY NUT
6	2	5/16 FLAT WASHER

**RV FRAME MOUNTING**  
**(STANDARD FASTENERS)**

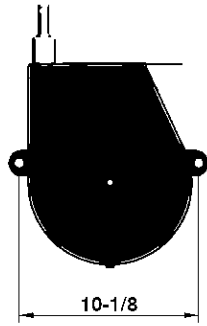


**FRONT VIEW**

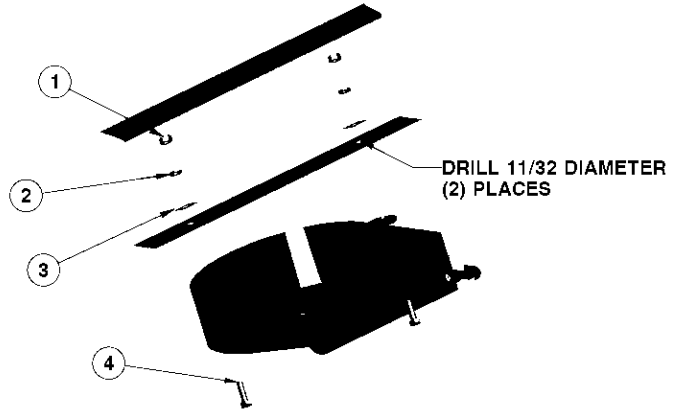


**SIDE VIEW**

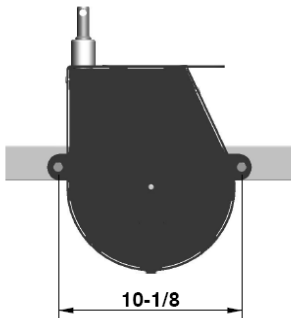
**5/16" Max.  
Thick frame  
With 1.00" long  
bolts supplied**



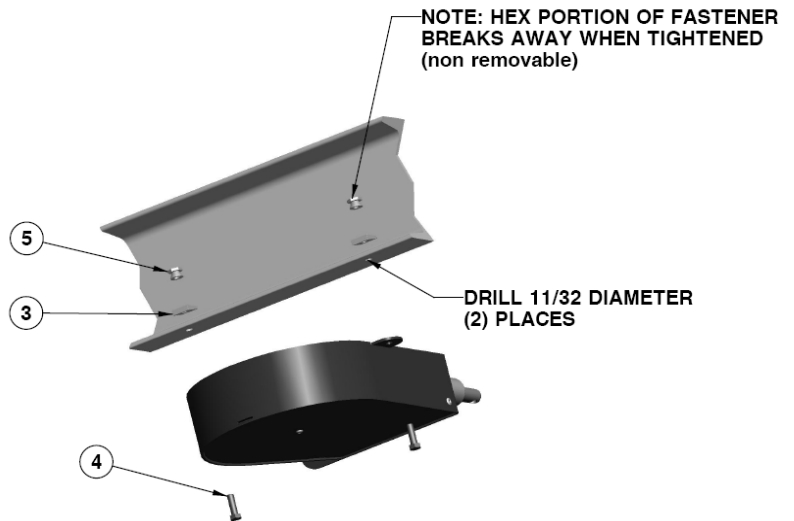
**BOTTOM VIEW**



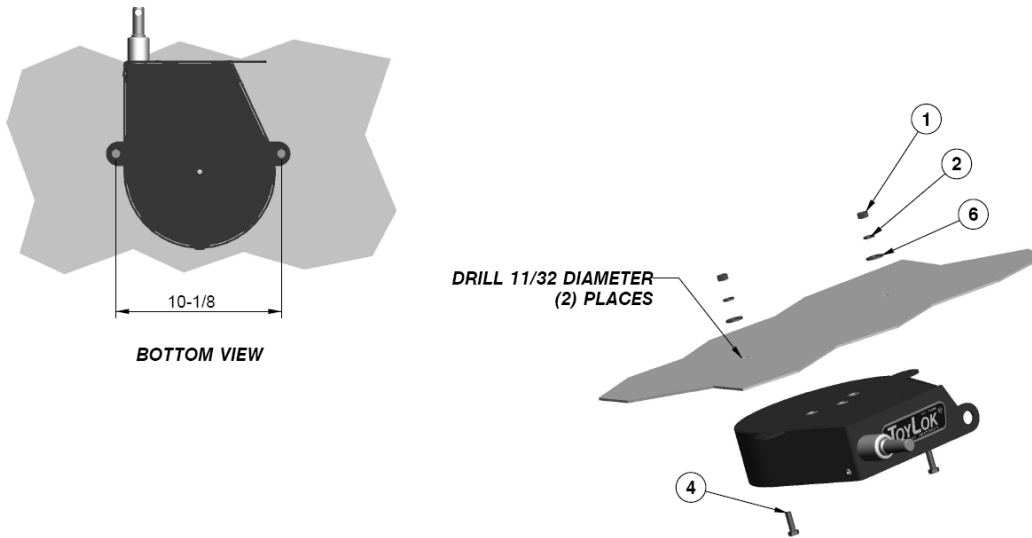
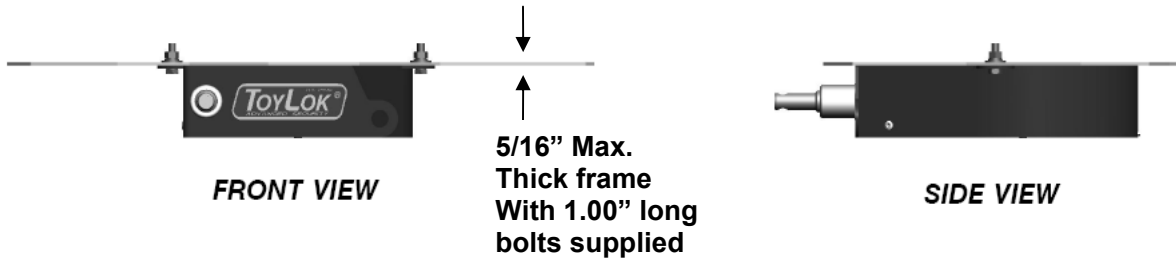
**RV FRAME MOUNTING**  
(SECURITY FASTENERS)



**BOTTOM VIEW**



# SURFACE WALL MOUNTING

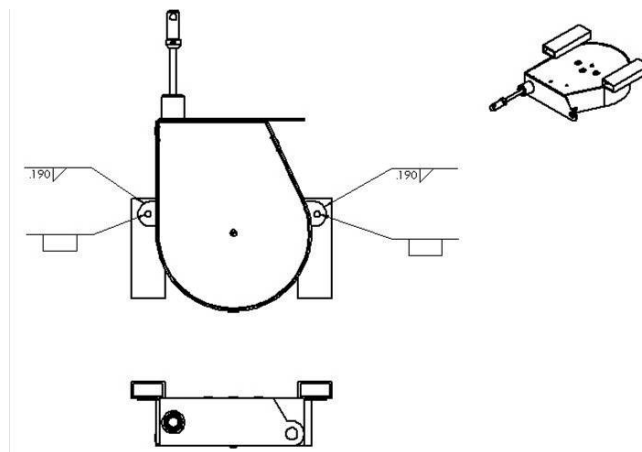


# RV FRAME MOUNTING (WELDING)

**CAUTION:**

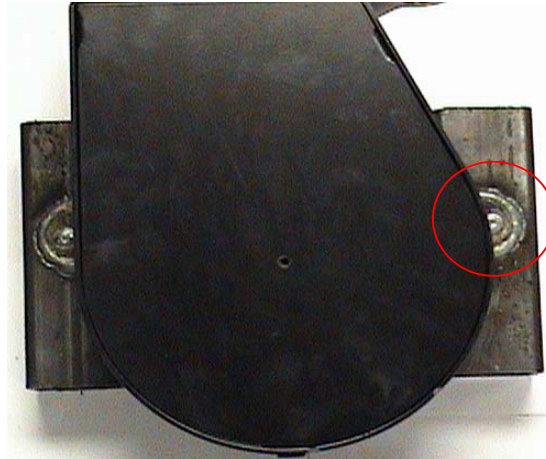
The product must be welded as specified below.

Excess welding or welding other than specified will result in internal damage to product and the product will not function properly.



## **RV FRAME MOUNTING** (WELDING Continued)

To weld product directly to trailer or steel frame, remove paint from the two tabs extending from housing. Position the Toylok in the desired location and apply weld to tabs as shown below. Paint tabs and welded area to prevent rust.



NOTE: OPTIONAL MOUNTING ACCESSORIES ARE AVAILABLE, SEE DEALER FOR MORE INFORMATION.

## FIFTH GEAR LIMITED ONE-YEAR WARRANTY

This warranty applies solely to Fifth Gear Products manufactured by Cequent Towing Products.

**1. Warranty and Warranty Period.** Cequent Towing Products warrants the original consumer purchaser (“You”) that the Product will be free from defects in material and workmanship for one year from date of Your retail purchase (the “Warranty”). Cequent Towing Products makes no other warranties. If the Product does not comply with the Warranty, Cequent Towing Products will replace the Product without charge and within a reasonable time or, at Cequent Towing Product’s option, otherwise refund the purchase price.

**2. Limitations on the Warranty.** The Warranty does not cover the following:

(a) normal wear and tear; (b) service or labor charges incurred in removing or replacing any Product; (c) the finish on a Product; (d) a Product that has been damaged through abuse, neglect, misuse or as a result of any accident or in any other manner; (e) a Product which is misapplied, overloaded, or improperly installed; and (f) a Product altered in any manner by anyone other than Cequent Towing Products.

**3. Obligations of the Purchaser.** To obtain the benefits of the Warranty, You must present the defective Product and proof of purchase to Cequent, 47774 W. Anchor Court, Plymouth, MI 48170 or any of its branches, factories, or authorized dealers listed in local directories **within 13 months from the date of your retail purchase**. Any returned Product that is replaced or refunded becomes the property of Cequent Towing Products.

**4. Legal Rights.** This Warranty gives You specific legal rights, and You also may have other rights which vary from state to state.

**ANY IMPLIED WARRANTY OF MERCHANTABILITY OR FITNESS FOR A PARTICULAR PURPOSE ON ANY PRODUCT SHALL BE LIMITED TO ONE YEAR FROM THE DATE OF RETAIL PRUCHASE BY YOU.** Some states do not allow limitations on how long an implied warranty lasts, so the above limitation may not apply to you.

**5. Remedy Limits.** Replacement of the Product or refund in the manner provided above is Your exclusive remedy and shall constitute fulfillment of all liabilities of Cequent Towing Products to You whether based on contract or otherwise. Cequent Towing Products shall not be liable for the loss of the use of any vehicle, loss of time, rental of vehicles, loss or damage to personal property, expenses such as gasoline, telephone, lodging, or any other incidental or consequential damages, incurred as a result of the use or ownership of any Product. Some states do not allow the exclusion or limitation of incidental or consequential damages, so the above limitation may not apply to you. Any of the remedy limitations shall be inoperative to the extent they are not permitted by applicable state law.

### WARRANTY DISCLAIMER FOR OTHER PRODUCTS

Cequent Towing Products gives no warranty for products not covered by Cequent Towing Products’s Limited Warranty. CEQUENT TOWING PRODUCTS HEARBY DISCLAIMS ALL WARRANTIES, EXPRESS OR LIMITED, INCLUDING BUT NOT LIMITED TO ANY IMPLIED WARRANTY OF MERCHANITBILITY OR FITNESS FOR A PARTICULAR PURPOSE.

Towing Products  
47774 Anchor Court West  
Plymouth, Mi. 48170  
Phone 866-352-7340